



3K9S *plus*

The outstanding system for maximum security

3KS^{plus} | patented technology for toughest conditions



3KS^{plus} is the most resistant system among mechanical locking systems. With the patented, springless curve technology, 3KS^{plus} is suitable for the toughest conditions.

The distinctive tip of the reversible key offers increased comfort when inserting. And of course, 3KS^{plus} also has a feature unique to EVVA: The overlapping curve millings guarantee optimal security.

Benefits of 3KS^{plus} at a glance

- › for locking systems with a highly complex structure
- › springless technology
- › modular version (SYMO)
- › patent protection until 2025

3-curve system

» *The reversible key system for highest security requirements and toughest conditions* «

3KS_{plus} | highest security

3KS_{plus} is ideal for locking systems with a complex structure and a large number of different user groups. This applies to systems with a changing structure such as universities, cultural and leisure centres, shopping centres, retail chains and industrial companies. The system offers extensive extension capabilities without reducing the level of security.

Projects implemented with 3KS_{plus}

In cooperation with qualified EVVA partners, EVVA has been fitting security technology in a wide variety of buildings throughout Europe for decades. Benefit from this experience:

Power Grid Control | Austria

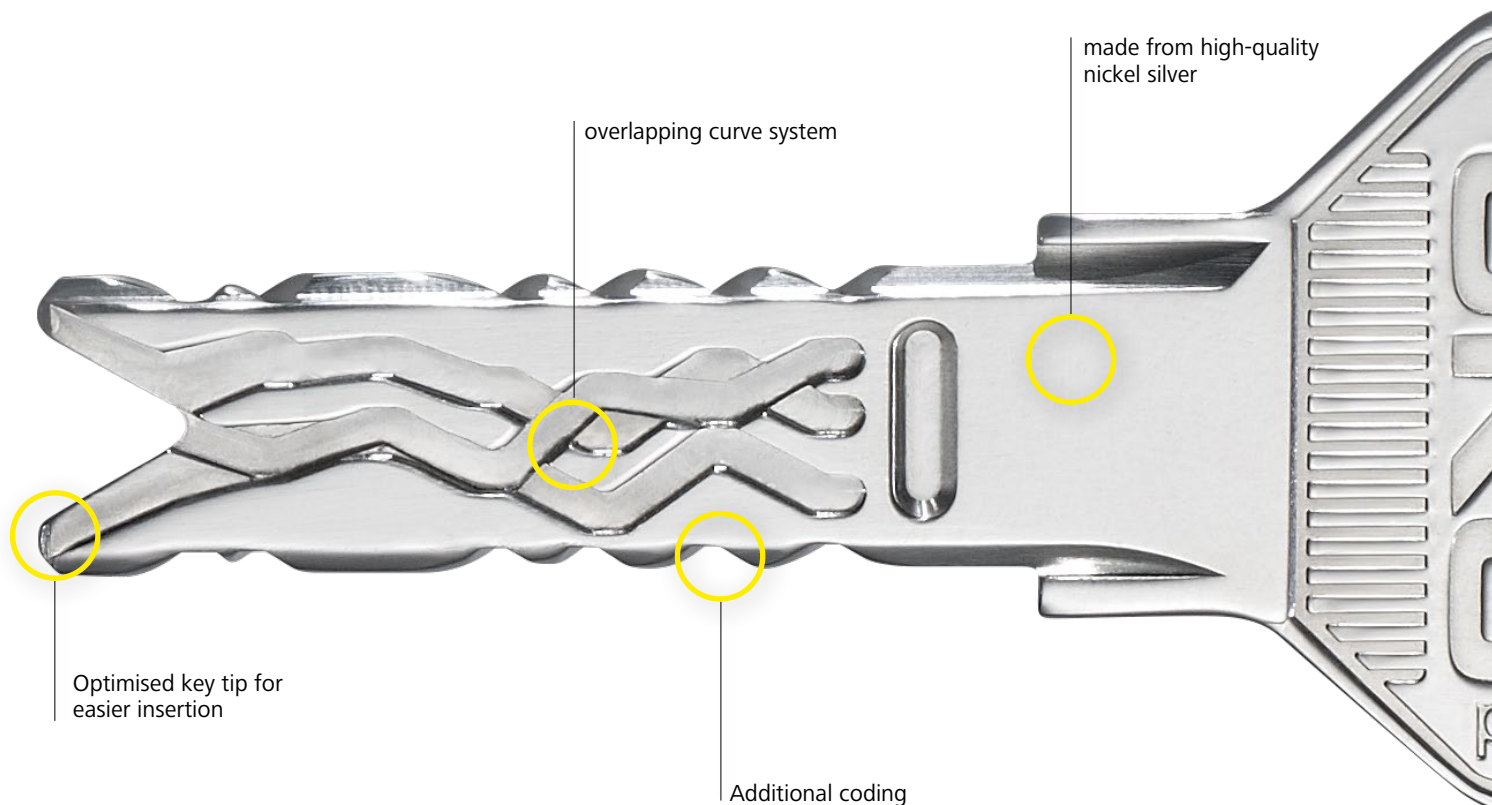
Power Grid Control, the largest power plant in Europe, relies on 3KS_{plus} from EVVA. More than 3,700 3KS_{plus} cylinders were installed in total, and 1,100 master keys and submaster keys supplied.

UCL University Brussels | Belgium

The faculty with 21,000 students from 120 countries and 5,000 employees was equipped with the 3KS_{plus} system from EVVA. 6,000 cylinders were installed in total.

More references are available at www.evva.com

3KS_{plus} keys | intelligent technology with functional design

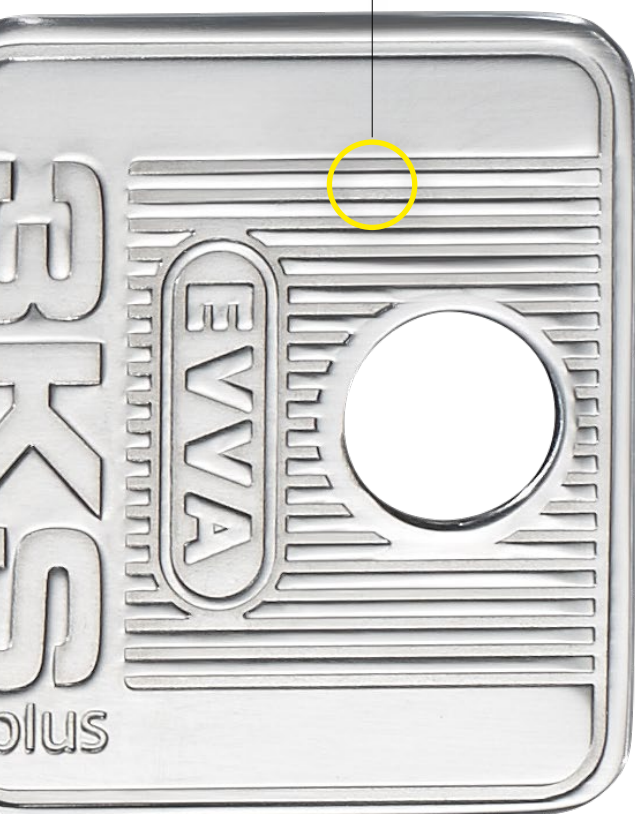


One key | many features

As a reversible key with unique rounded tip, the 3KS_{plus} key is particularly easy to use. The high-quality nickel-silver alloy of the key, the anti-friction coating of all locking elements and the springless technology of the 3KS_{plus} plug guarantee high wear resistance even under the toughest conditions. The special feature of the 3KS_{plus} key, however, are the overlapping curve millings. It practically rules out key manipulation within the locking system. The additional coding also provides highest security.

The original 3KS_{plus} key is produced exclusively by EVVA and is only available at EVVA partners.

Optimal grip and ergonomics



The ergonomic design key bow

3Ksplus keys are optionally available with the new, ergonomic and high-quality design key bow. The attractive design is available in black, red and blue.

Benefits

- › Easier to distinguish the keys
- › Simple management of locking systems thanks to colour allocation
- › High quality for improved haptics



EVVA | Unique security

EVVA is constantly investing in research and is always working to develop new key technologies. This means that EVVA can always meet the increasing requirements for security and organisation.

The unique technology of 3Ksplus offers three different levels of protection against key copying, illegal key copies and key manipulations:

Increased security with the EVVA security card

Copy keys, additional cylinders and lock charts are only available at an authorised EVVA partner and only with relevant proof of legitimacy, i.e. the EVVA security card.

Legal protection through long patent protection

Commercial manufacturing of EVVA keys takes place exclusively at EVVA and EVVA partners. All EVVA products are only available at authorised EVVA partners.

EVVA prevents 3Ksplus keys from being produced without authorisation by adding patented features on the key. EVVA can take legal action if it is discovered that a key copy has been commercially produced without authorisation. The patent protection period for the 3Ksplus is valid until 2025.

High technical protection with the necessary specialist knowledge

The technical features of a 3Ksplus key require extensive specialist knowledge and specialist machinery for production. This makes it extremely difficult to produce illegally copy keys.

3KS_{plus} cylinders | patented technology for unbeatable security



Modular version (SYMO)

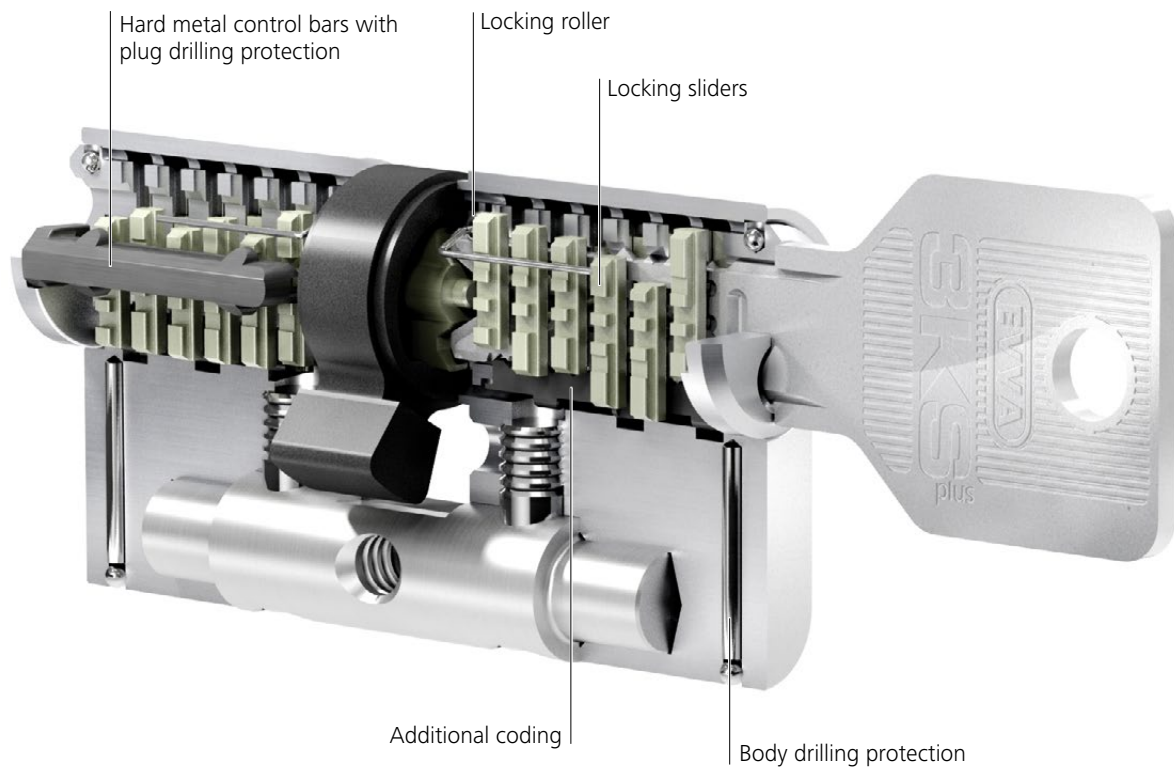


One cylinder | many details

3KS_{plus} is patented, springless and anything but conventional. In contrast to other locking systems, the locking elements in the 3KS_{plus} cylinder are sliding along the curve millings on the key. No force is needed to insert the key due to lacking spring resistance. A total of 12 springless, solid locking pins are brought into specific positions via positive control of the 6 curves millings on the key and are scanned via 2 control bars. A locking bar in the plug controls the key's additional coding. The 3KS_{plus} key is scanned a total of four times and therefore offers the highest security.

The 3KS_{plus} cylinder is produced in modular version (SYMO) and can therefore be adapted to the relevant door situation directly on-site.

The 3KS_{plus} cylinder can also be customized with specific functions on-site (e.g. external key override). This saves time and money!



In any situation | more protection

The innovative technology of the 3KS_{plus} cylinder offers lasting protection against illegal opening methods:

Picking and scanning protection

The 3KS_{plus} cylinder is equipped with several locking sliders. Thanks to the freely moving locking elements in the plug, it is virtually impossible to scan the cylinder in order to make a copy key. The springless function also protects against bumping.

Drilling protection

The hard metal control bars which also provide a body drilling protection in the 3KS_{plus} cylinder offer effective protection against drilling.

Plug pulling protection

The hard metal control bars and the modular version (SYMO) offer effective protection against pulling and snapping attempts.

3KS_{plus}-cylinder options

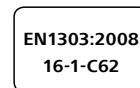
Different options and requirements are often called for within a locking system.

The 3KS_{plus} options make it possible: External key override cylinder function; SOS function; vario function; dust protection; free-wheel function; cogwheel cam and much more.

The international 3KS_{plus} certifications and country-specific models mean that the products can be used throughout Europe:



Reg.Nr. ON-N2006288



www.evva.com

┌

┐

┌ Handed over by

┐